

sunlite®

INSTALLATION INSTRUCTIONS

LED STRIP LIGHTS | 85471-SU

0-10V DIMMABLE

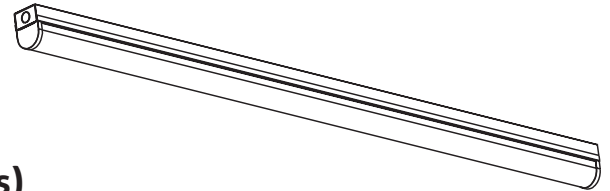
Compatible with most wall based 0-10V dimming controllers

Please read and understand this entire manual before attempting to assemble, operate or install the product.



WARNINGS & CAUTIONS: Risk of fire or electric shock. Turn power off before inspection, installation, or removal. Before installation, thoroughly review enclosed installation manual. This product must be installed in accordance with the applicable installation code by a person familiar with the construction and operation of the product and the hazards involved. If you do not have sufficient electrical wiring experience, please consult a qualified electrician. All work should be done by a qualified electrician. Do not make or alter any open holes in an enclosure of wiring or electrical components during installation. To prevent wiring damage or abrasion, do not expose wiring to edges of sheet metal or other sharp objects. Do not install this fixture where there is risk of rain or moisture exposure. Not for emergency lighting. Min 90°C supply conductors. Compatible with most wall based 0-10V dimmers. Ambient operating temperature -20°C – 50°C (-4°F – 122°F). Suitable for damp locations.

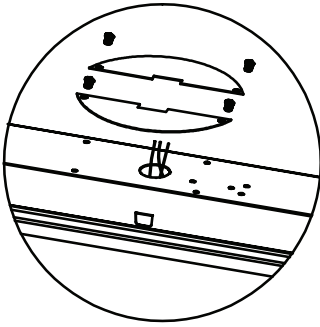
Retain these instructions for future reference.



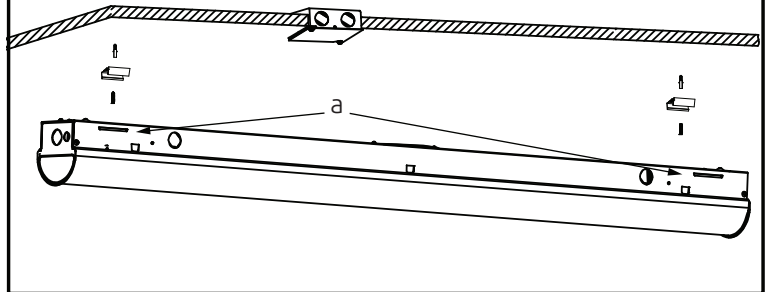
INSTALLATION (see page 2 for other installation options)

Surface Mounting

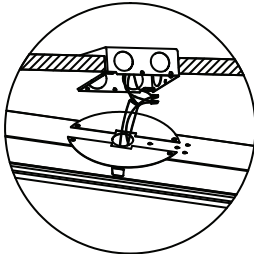
1. Screw J-Box Cover onto bottom of the fixture



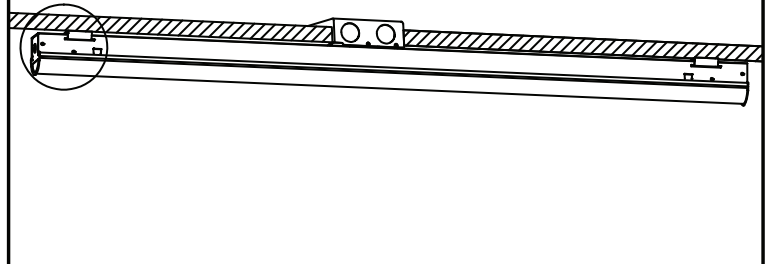
2. Measure distance of mounting slots on fixture (a) then drill pilot holes in ceiling for mounting brackets. Insert anchors into holes then secure brackets with included screws.



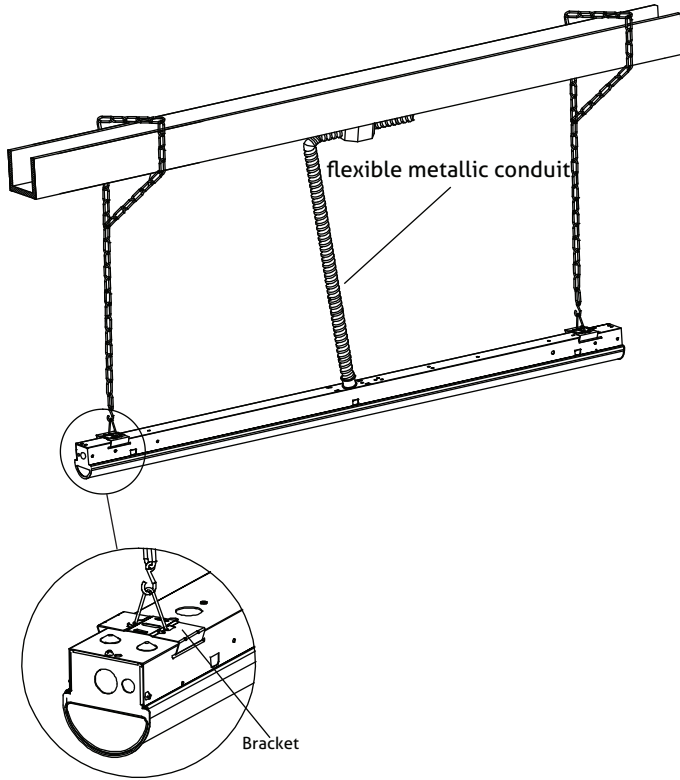
3. Connect supply wires to fixture wires. Black to Black, White to White, and Green to Green. For 0-10V dimming connect the purple and pink wires to 0-10V supply wires, otherwise wires must be capped.



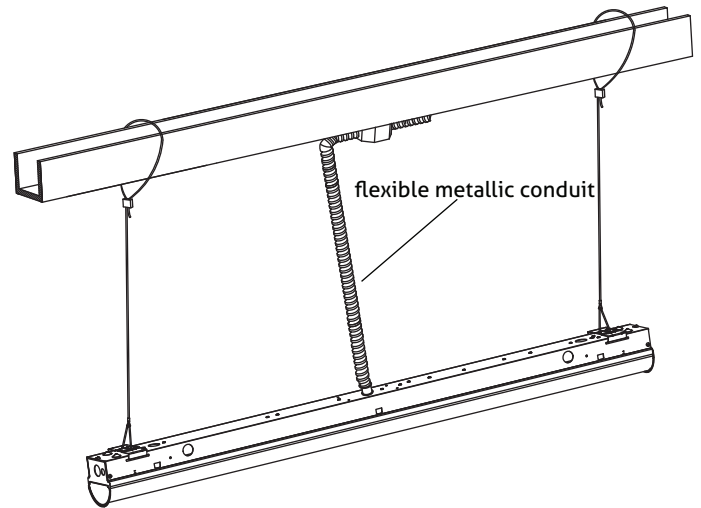
2. Push wires into junction box then snap fixture into installed mounting brackets.



Chain Suspended Mounting (*not included*)



Cable Suspended Mounting (*not included*)



1. Clip the brackets to the slots of fixture.
2. Attach customer supplied V-Hooks to brackets.
3. Attach customer supplied chain or cable to the V-hooks and mounting surface.
4. Wire fixture through a metal conduit. See step 3. on previous page.